



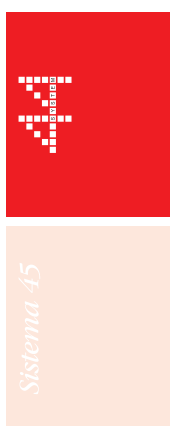


Supporti per scatole rettangolari

Frames for rectangular boxes

271

| | Cod. Code | Descrizione Description | Info | € | □ | □ |
|---|-----------|---|------|-----|---|---|
|  | 44A03 | Supporto 3 moduli per scatole 2503MG, 253CG e 253GB - con viti <i>3 modules frame for 2503MG, 253CG and 253GB boxes - with screws</i> | 120 | 120 | | |
|  | 44A002VT | Supporto 1-2 moduli centrali per scatole 2503MG, 253CG, 253GB e per scatole tonde o quadrate con interasse 60 mm o 56x56 mm - con viti - per placche rettangolari 1 o 2 moduli centrali <i>1-2 central modules frame for 2503MG, 253CG, 253GB boxes and round or square boxes with centre distance of 60 mm or 56x56 mm - with screws - for rectangular front plates 1 or 2 central modules</i> | 10 | 10 | | |
|  | 44A/45B | Supporto 3 moduli per placche S45 - colore bianco RAL 9010 - per scatole 2503MG, 253CG e 253GB - con viti <i>3 modules frame for S45 front plates - colour RAL 9010 white colour - for 2503MG, 253CG and 253GB boxes - with screws</i> | 10 | 10 | | |
|  | 44A/45B2 | Supporto 1-2 moduli per placche rettangolari S45 1 o 2 moduli centrali - colore bianco RAL 9010 - per scatole 2503MG, 253CG, 253GB e per scatole tonde o quadrate con interasse 60 mm o 56x56 mm - con viti <i>1-2 modules frame for S45 rectangular front plates with 1 or 2 central modules - colour RAL 9010 white - for 2503MG, 253CG, 253GB boxes and round or square boxes with centre distance of 60 mm or 56x56 mm - with screws</i> | 10 | 10 | | |



44A03

44A002VT

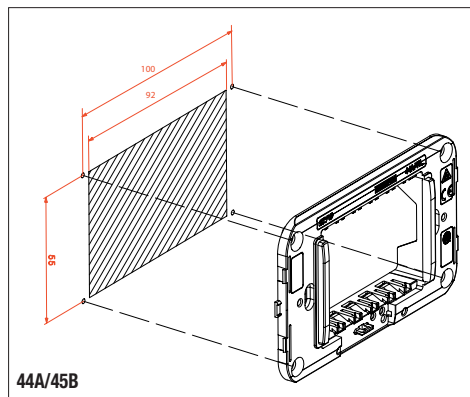
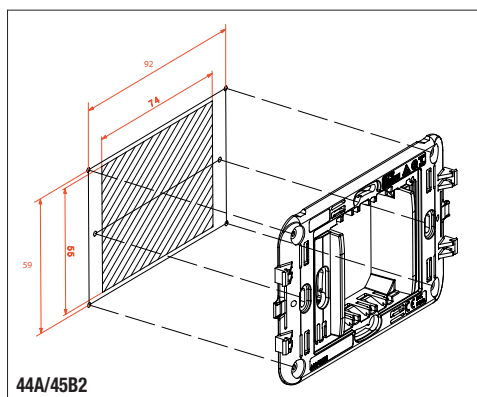
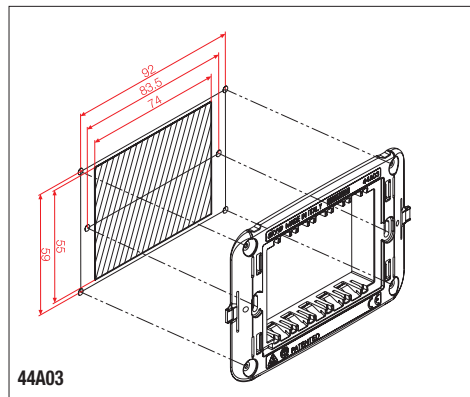
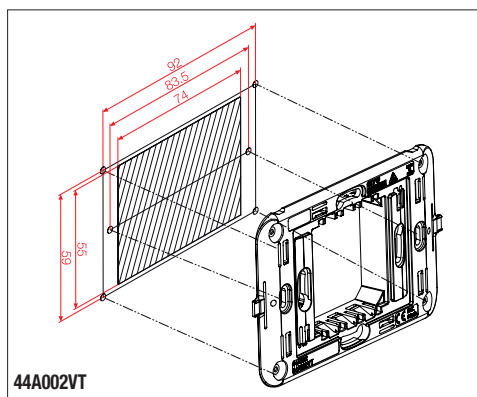
44A/45B

44A/45B2



Supporto 44A/45B con placca "Spring" Sistema 45
Frame 44A/45B with "Spring" System 45 plate

Dime di Foratura (in mm) Cutout Template (mm)



□ Imballo Minimo pcs
Min. Packaging pcs

□ Imballo Standard pcs
Std. Packaging pcs